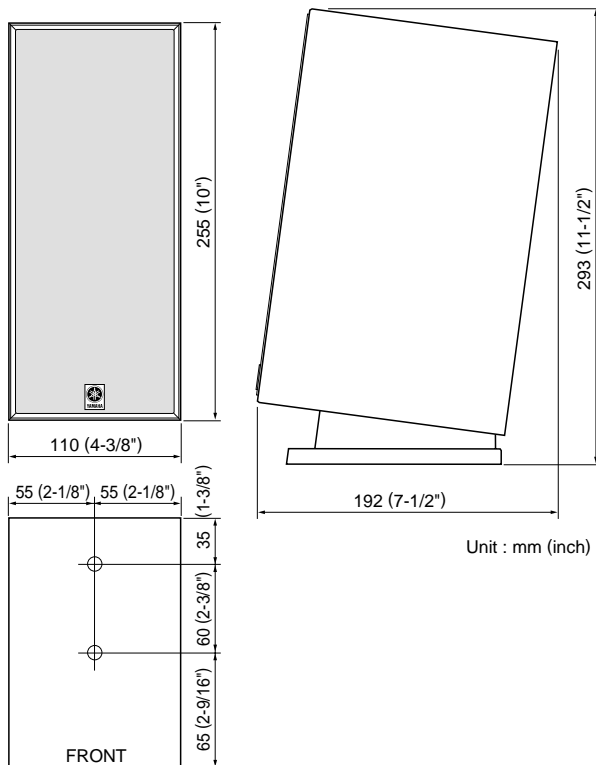


SPEAKER SYSTEM NS-U30

SERVICE MANUAL

■ DIMENSIONS

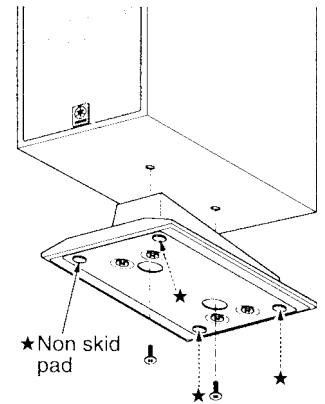


■ SPECIFICATIONS

Type 2-way acoustic suspension magnetic shielding
Speaker Unit
Woofer 9 cm (3-1/2") cone
Tweeter 2 cm (3/4") piezo
Frequency Response 75 Hz – 25 kHz
Impedance 6 ohms
Nominal Input Power 20 W

■ ATTACHING STAND

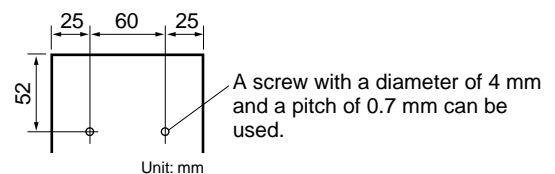
Attach the included stands to the speakers using the two included screws. Place the speakers next to a personal computer on a desktop to achieve the optimum listening position. Be sure to attach the stands to the speakers correctly as shown in the figure. If you attach them in the opposite direction or otherwise incorrectly, the speakers may fall and be damaged or cause injury.



■ Non skid pad

To prevent the speakers from sliding around, attach the supplied pads as shown in the illustration.

You can also use the screw holes on the rear of the speaker for installing the speakers.



Maximum Input Power 60 W
Sensitivity 88 dB/2.83 V/m
Dimensions (W x H x D) 110 x 293 x 192 mm
 Stand included (4-3/8" x 11-1/2" x 7-1/2")
Weight 1.8 kg (4 lbs.) /1 piece (stand included)
Finish Light Cherry PVC
Accessories Stand x 2, Screws for stand x 4,
 Non skid pad x 8, Speaker cord (2m) x 2

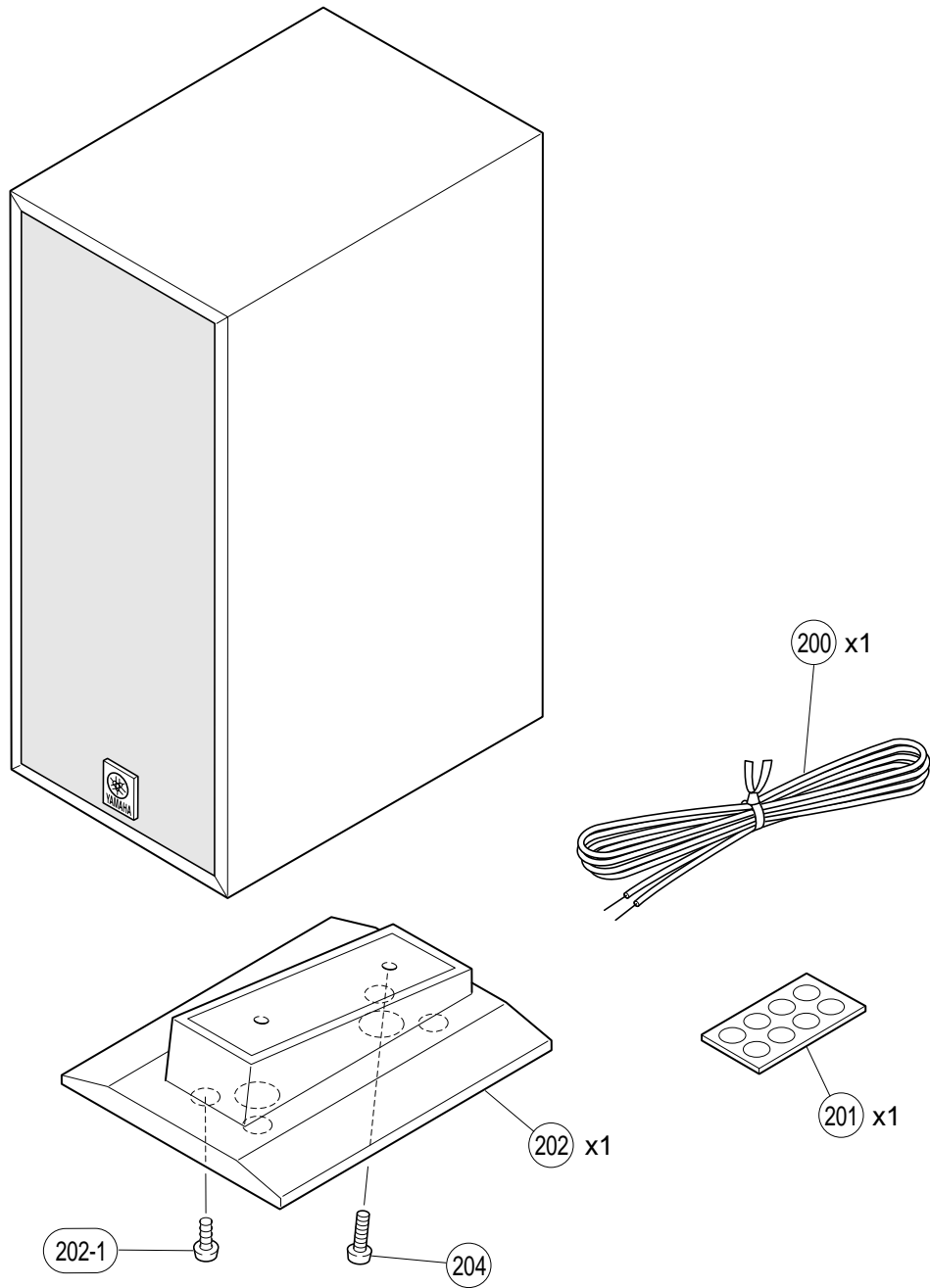
* Specifications are subject change without notice due to product improvements.



このサービスマニュアルは、エコマーク認定の再生紙を使用しています。
 This Service Manual uses recycled paper.



EXPLODED VIEW



PARTS LIST

Ref. No.	PART NO.	Description	Remarks	Markets
		ACCESSORIES		
200	V4859700	SPEAKER CORD	2.0m 1pc	
201	V4252700	NON SKID PAD	8pcs/set	
202	V4252600	STAND ASS'Y	STAND 1pc	
202-1	VB931600	BIND HEAD P-TITE SCREW	4x8 MFZN2-BL	
204	VB132700	BIND HEAD SCREW	4x12 MFZN2-BL	

* New Parts